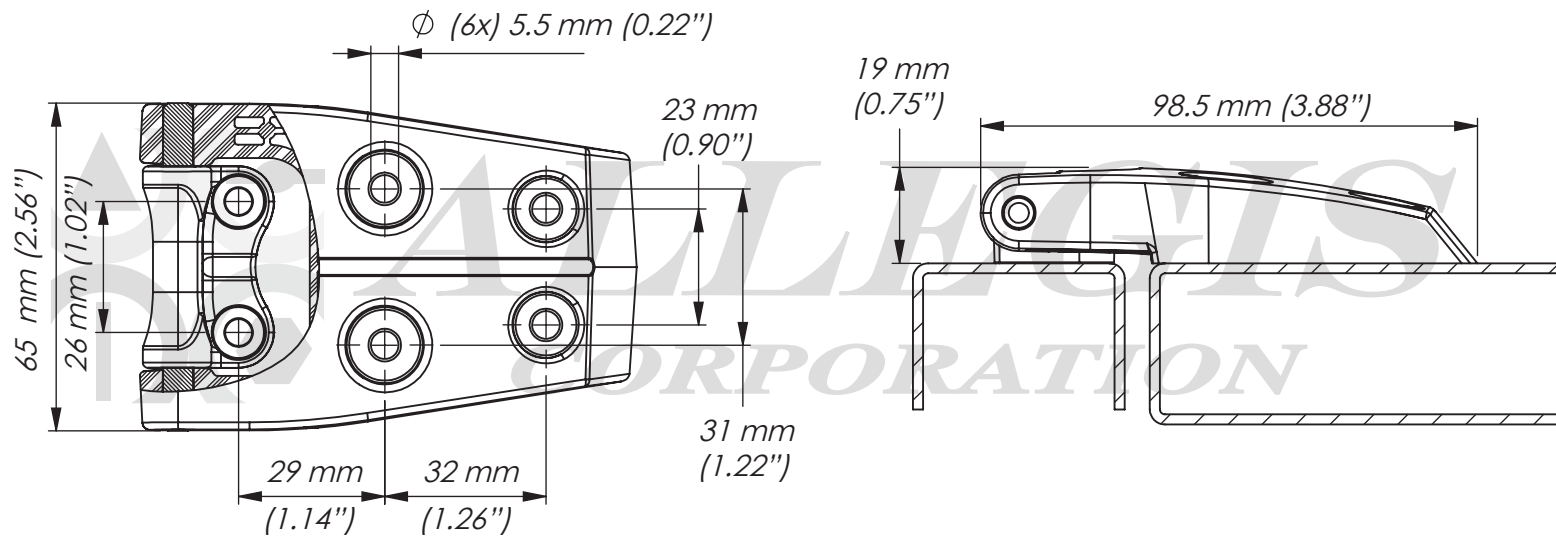


APPROVAL - CUSTOMER NAME & SIGNATURE

DATE



**www.ALLEGISCORP.com**  
**1-866-378-7550**

MATERIAL / FINISH :  
 Polyamide PA6 - GF30

REV. :

1 : 1

DATE :

1-11-2016

DESCRIPTION :

Hinge

DRAWING NO. :

325070